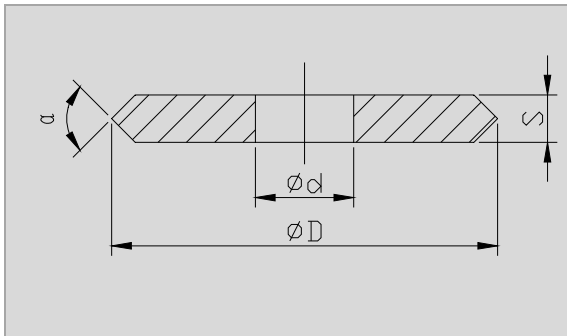


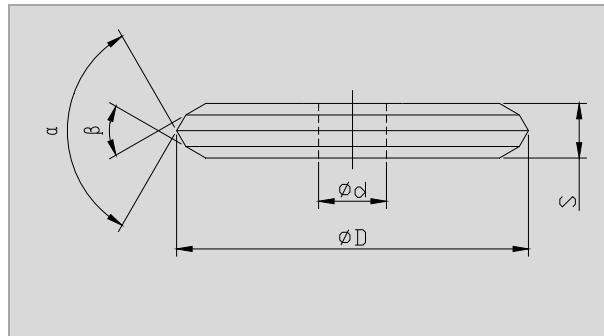
Carbide Ceramic Tile Cutter



| Grade | Cutting length (For common tile) | Density (g/cm ₃) | Hardness (HRA) | T.R.S (MPa) |
|-------|-------------------------------------|---------------------------------|-------------------|----------------|
| A01 | 500m | 13.8-14.2 | 91.2 | 1700 |
| A02 | 300m | 11-11.3 | 91 | 1600 |
| A03 | 100m | 9-9.4 | 92 | 1200 |
| A04 | 600m | 14.6-15.1 | 91.5 | 1800 |



| D (mm) | d (mm) | s (mm) | α |
|--------|--------|--------|----------|
| Φ22 | Φ6 | 2 | 90°-120° |
| Φ22 | Φ10.5 | 2 | |
| Φ22 | Φ15 | 2 | |
| Φ20 | Φ5 | 3 | |
| Φ20 | Φ14 | 5 | |
| Φ18 | Φ6 | 3 | |
| Φ16 | Φ6 | 4.9 | |
| Φ16 | Φ6 | 3 | |
| Φ16 | Φ6 | 2 | |
| Φ16 | Φ4 | 3 | |
| Φ15 | Φ6 | 2 | |
| Φ15 | Φ6 | 1.5 | |
| Φ16 | Φ6 | 1.5 | |
| Φ14 | Φ6 | 1.5 | |
| Φ13.5 | Φ6 | 1.5 | |
| Φ13.5 | Φ6 | 2 | |
| Φ13.5 | Φ6 | 1 | |
| Φ12 | Φ3 | 3 | |
| Φ10 | Φ4 | 3 | |
| Φ8 | Φ1.5 | 1 | |
| Φ7 | Φ1.9 | 1.2 | |
| Φ6.4 | Φ1.5 | 1.3 | |
| Φ4.6 | Φ1.3 | 1 | |
| Φ3.5 | Φ1 | 1 | |
| Φ3.3 | Φ1 | 1 | |



| D (mm) | d (mm) | s (mm) | α, β |
|--------|--------|--------|-----------------|
| Φ22 | Φ6 | 4.7 | 90°-120° |
| Φ18 | Φ6 | 3.8 | |
| Φ15 | Φ6 | 2.9 | |
| | | | |
| | | | |
| | | | |
| | | | |
| | | | |
| | | | |
| | | | |
| | | | |
| | | | |
| | | | |
| | | | |
| | | | |
| | | | |
| | | | |
| | | | |
| | | | |
| | | | |

NOTE:

1. S, β , α are according to customer's requests.
2. The types in the above form are frequently-used.
3. We can produce the customized products whose types are not in the form according to our customer's requirements