

TUNGSTEN CARBIDE SEATS

➤ Identification system of seats

1.1 The identification of the seats consists of six positions. Each position defines a characteristic of the seat in the following order:

1.1.1 First position - Type

I – Pin lock-type

1.1.2 Second position – Shape

R – Round

S – Square

T – Triangular

C – 80 degree rhombic

D – 55 degree rhombic

V – 35 degree rhombic

W – Trigon

1.1.3 Third position – Identify seat

S – Seat

1.1.4 Fourth position – Relief angle

N – Negative

P – Positive

1.1.5 Fifth position – Reference Insert Inscribed circle (I.C.)

Number of eighths of an inch in the insert inscribed circle ANSI B212.14-1993

1.1.6 Sixth position – Seat thickness

Number of sixteenths of an inch in thickness

1.1.7 Seventh position – corner radius

Number of sixty-fourths of an inch radius on each corner

1.1.8 Example – Seat No. ISSN 332

1 – Pine lock-type

S – Square

S – Seat

N – Negative

3 – 3/8 inch I.C.

3 – 3/16 inch thickness

2 – 2/64 inch nose radius

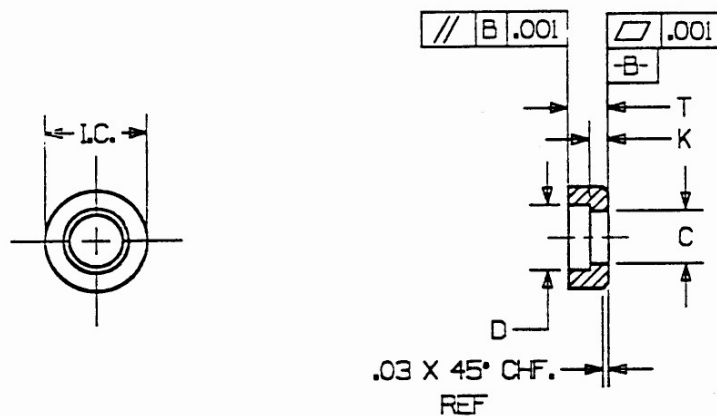
➤ Grade and Properties

Grade	Chemical Composition		Physical Data		
	WC	Co	Density (g/cm3)	Hardness (HRA)	TRS (MPa)
YG8	92%	8%	14.8	89.5	2200

➤ Product Informations

Round seats for indexable round inserts

Style RNMA & RNMG for negative rake holders

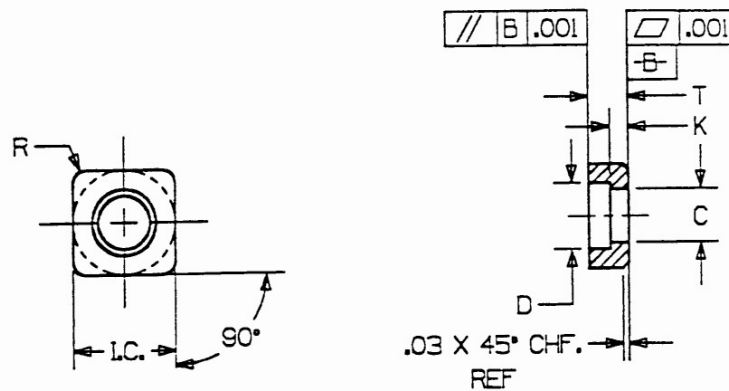


SEAT DESIGNATION	SEAT I.C.	REFERENCE INSERT I.C.	D	T	C	K
IRSN-32	0.350 ± 0.004	0.375	0.262± 0.004	0.130 +0/-0.005	0.208 ± 0.004	0.055 ± 0.004
IRSN-43	0.490 ± 0.005	0.500	0.315± 0.004	0.192 +0/-0.005	0.289 ± 0.004	0.088 ± 0.004
IRSN-44	0.490 ± 0.005	0.500	0.315± 0.004	0.255 +0/-0.005	0.289 ± 0.004	0.088 ± 0.004
IRSN-53	0.585 ± 0.006	0.625	0.450± 0.005	0.192 +0/-0.005	0.380 ± 0.004	0.088 ± 0.004
IRSN-63	0.712 ± 0.007	0.750	0.513± 0.005	0.192 +0/-0.005	0.443 ± 0.004	0.088 ± 0.004
IRSN-64	0.712 ± 0.007	0.750	0.513± 0.005	0.255 +0/-0.005	0.443 ± 0.004	0.088 ± 0.004
IRSN-84	0.960 ± 0.008	1.000	0.639± 0.006	0.255 +0/-0.005	0.568 ± 0.004	0.115 ± 0.004
IRSN-104	1.200 ± 0.010	1.250	0.764± 0.006	0.255 +0/-0.005	0.692 ± 0.005	0.115 ± 0.004

* Note: All dimensions in inches

Square seats for indexable square inserts

Style SNMA & SNMG for negative rake holders

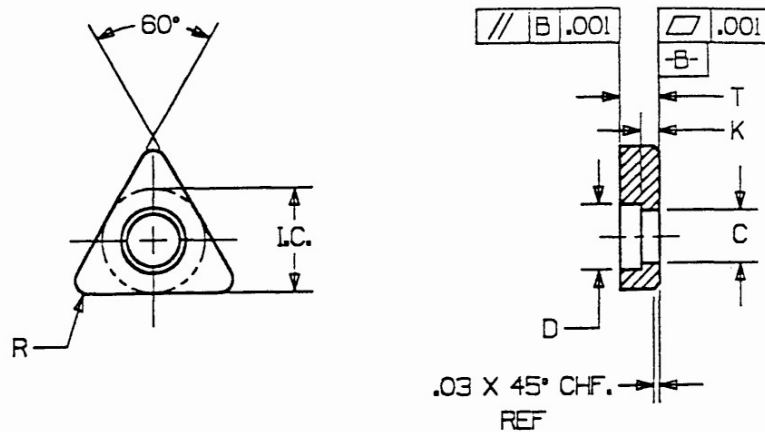


SEAT DESIGNATION	SEAT I.C.	REFERENCE INSERT I.C.	D	T	C	K	R
ISSN-322	0.365 ± 0.004	0.375	0.253 ± 0.004	0.130 +0/-0.005	0.227 ± 0.004	0.055 ± 0.004	0.031 ± 0.004
ISSN-323	0.365 ± 0.004	0.375	0.253 ± 0.004	0.130 +0/-0.005	0.227 ± 0.004	0.055 ± 0.004	0.047 ± 0.004
ISSN-432	0.490 ± 0.005	0.500	0.315 ± 0.004	0.192 +0/-0.005	0.289 ± 0.004	0.088 ± 0.004	0.031 ± 0.004
ISSN-433	0.490 ± 0.005	0.500	0.315 ± 0.004	0.192 +0/-0.005	0.289 ± 0.004	0.088 ± 0.004	0.047 ± 0.004
ISSN-436	0.490 ± 0.005	0.500	0.315 ± 0.004	0.192 +0/-0.005	0.289 ± 0.004	0.088 ± 0.004	0.093 ± 0.004
ISSN-438	0.490 ± 0.005	0.500	0.315 ± 0.004	0.192 +0/-0.005	0.289 ± 0.004	0.088 ± 0.004	0.125 ± 0.004
ISSN-443	0.490 ± 0.005	0.500	0.315 ± 0.004	0.255 +0/-0.005	0.289 ± 0.004	0.088 ± 0.004	0.047 ± 0.004
ISSN-446	0.490 ± 0.005	0.500	0.315 ± 0.004	0.255 +0/-0.005	0.289 ± 0.004	0.088 ± 0.004	0.093 ± 0.004
ISSN-532	0.615 ± 0.006	0.625	0.450 ± 0.005	0.192 +0/-0.005	0.380 ± 0.004	0.088 ± 0.004	0.031 ± 0.004
ISSN-533	0.615 ± 0.006	0.625	0.450 ± 0.005	0.192 +0/-0.005	0.380 ± 0.004	0.088 ± 0.004	0.047 ± 0.004
ISSN-536	0.615 ± 0.006	0.625	0.450 ± 0.005	0.192 +0/-0.005	0.380 ± 0.004	0.088 ± 0.004	0.093 ± 0.004
ISSN-543	0.615 ± 0.006	0.625	0.450 ± 0.005	0.255 +0/-0.005	0.380 ± 0.004	0.088 ± 0.004	0.047 ± 0.004
ISSN-546	0.615 ± 0.006	0.625	0.450 ± 0.005	0.255 +0/-0.005	0.380 ± 0.004	0.088 ± 0.004	0.093 ± 0.004
ISSN-553	0.615 ± 0.006	0.625	0.450 ± 0.005	0.315 +0/-0.005	0.380 ± 0.004	0.088 ± 0.004	0.047 ± 0.004
ISSN-632	0.740 ± 0.007	0.750	0.513 ± 0.005	0.192 +0/-0.005	0.443 ± 0.004	0.088 ± 0.004	0.031 ± 0.004
ISSN-633	0.740 ± 0.007	0.750	0.513 ± 0.005	0.192 +0/-0.005	0.443 ± 0.004	0.088 ± 0.004	0.047 ± 0.004
ISSN-634	0.740 ± 0.007	0.750	0.513 ± 0.005	0.192 +0/-0.005	0.443 ± 0.004	0.088 ± 0.004	0.062 ± 0.004
ISSN-636	0.740 ± 0.007	0.750	0.513 ± 0.005	0.192 +0/-0.005	0.443 ± 0.004	0.088 ± 0.004	0.093 ± 0.004
ISSN-638	0.740 ± 0.007	0.750	0.513 ± 0.005	0.192 +0/-0.005	0.443 ± 0.004	0.088 ± 0.004	0.125± 0.004
ISSN-643	0.740 ± 0.007	0.750	0.513 ± 0.005	0.255 +0/-0.005	0.443 ± 0.004	0.088 ± 0.004	0.047 ± 0.004
ISSN-644	0.740 ± 0.007	0.750	0.513 ± 0.005	0.255 +0/-0.005	0.443 ± 0.004	0.088 ± 0.004	0.062 ± 0.004
ISSN-646	0.740 ± 0.007	0.750	0.513 ± 0.005	0.255 +0/-0.005	0.443 ± 0.004	0.088 ± 0.004	0.093 ± 0.004
ISSN-836	0.990 ± 0.008	1.000	0.639 ± 0.006	0.192 +0/-0.005	0.568 ± 0.004	0.088 ± 0.004	0.093 ± 0.004
ISSN-844	0.990 ± 0.008	1.000	0.639 ± 0.006	0.255 +0/-0.005	0.568 ± 0.004	0.115 ± 0.004	0.062 ± 0.004
ISSN-846	0.990 ± 0.008	1.000	0.639 ± 0.006	0.255 +0/-0.005	0.568 ± 0.004	0.115 ± 0.004	0.093 ± 0.004
ISSN-848	0.990 ± 0.008	1.000	0.639 ± 0.006	0.255 +0/-0.005	0.568 ± 0.004	0.115 ± 0.004	0.125 ± 0.004
ISSN-856	0.990 ± 0.008	1.000	0.639 ± 0.006	0.315 +0/-0.005	0.568 ± 0.004	0.115 ± 0.004	0.093 ± 0.004

SEAT DESIGNATION	SEAT I.C.	REFERENCE INSERT I.C.	D	T	C	K	R
ISSN-858	0.990 ± 0.008	1.000	0.639 ± 0.006	0.315 +0/-0.005	0.568 ± 0.004	0.115 ± 0.004	0.125 ± 0.004

* Note: All dimensions in inches

Triangular seats for indexable triangular inserts
 Style TNMA & TNMG for negative rake holders

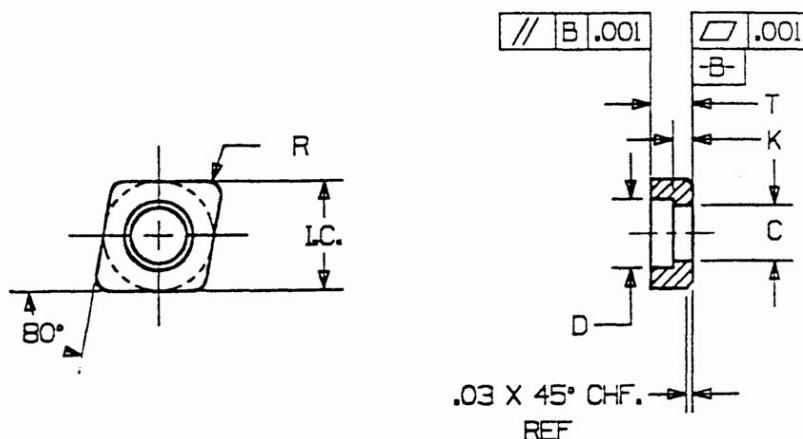


SEAT DESIGNATION	SEAT I.C.	REFERENCE INSERT I.C.	D	T	C	K	R
ITSN-322	0.368 ± 0.004	0.375	0.253 ± 0.004	0.130 +0/-0.005	0.227 ± 0.004	0.055 ± 0.004	0.031 ± 0.004
ITSN-323	0.368 ± 0.004	0.375	0.253 ± 0.004	0.130 +0/-0.005	0.227 ± 0.004	0.055 ± 0.004	0.047 ± 0.004
ITSN-323-T	0.345 ± 0.004	0.375	0.253 ± 0.004	0.130 +0/-0.005	0.227 ± 0.004	0.055 ± 0.004	0.047 ± 0.004
ITSN-324	0.368 ± 0.004	0.375	0.253 ± 0.004	0.130 +0/-0.005	0.227 ± 0.004	0.055 ± 0.004	0.062 ± 0.004
ITSN-326	0.368 ± 0.004	0.375	0.253 ± 0.004	0.130 +0/-0.005	0.227 ± 0.004	0.055 ± 0.004	0.093 ± 0.004
ITSN-327	0.368 ± 0.004	0.375	0.253 ± 0.004	0.130 +0/-0.005	0.227 ± 0.004	0.055 ± 0.004	0.109 ± 0.004
ITSN-332	0.368 ± 0.004	0.375	0.253 ± 0.004	0.192 +0/-0.005	0.227 ± 0.004	0.055 ± 0.004	0.031 ± 0.004
ITSN-333	0.368 ± 0.004	0.375	0.253 ± 0.004	0.192 +0/-0.005	0.227 ± 0.004	0.055 ± 0.004	0.047 ± 0.004
ITSN-334	0.368 ± 0.004	0.375	0.253 ± 0.004	0.192 +0/-0.005	0.227 ± 0.004	0.055 ± 0.004	0.062 ± 0.004
ITSN-431	0.493 ± 0.004	0.500	0.315 ± 0.005	0.192 +0/-0.005	0.289 ± 0.004	0.088 ± 0.004	0.016± 0.004
ITSN-432	0.493 ± 0.004	0.500	0.315 ± 0.005	0.192 +0/-0.005	0.289 ± 0.004	0.088 ± 0.004	0.031± 0.004
ITSN-432-T	0.455 ± 0.004	0.500	0.325 ± 0.004	0.192 +0/-0.005	0.255 ± 0.004	0.088 ± 0.004	0.031± 0.004
ITSN-433-T	0.455 ± 0.004	0.500	0.325 ± 0.004	0.192 +0/-0.005	0.255 ± 0.004	0.088 ± 0.004	0.047± 0.004
ITSN-434-T	0.455 ± 0.004	0.500	0.325 ± 0.004	0.192 +0/-0.005	0.255 ± 0.004	0.088 ± 0.004	0.062± 0.004
ITSN-435-T	0.455 ± 0.004	0.500	0.325 ± 0.004	0.192 +0/-0.005	0.255 ± 0.004	0.088 ± 0.004	0.078± 0.004
ITSN-434	0.493 ± 0.004	0.500	0.315 ± 0.005	0.192 +0/-0.005	0.289 ± 0.004	0.088 ± 0.004	0.062± 0.004
ITSN-436	0.493 ± 0.004	0.500	0.315 ± 0.005	0.192 +0/-0.005	0.289 ± 0.004	0.088 ± 0.004	0.093± 0.004
ITSN-438	0.493 ± 0.004	0.500	0.315 ± 0.005	0.192 +0/-0.005	0.289 ± 0.004	0.088 ± 0.004	0.125± 0.004
ITSN-439	0.493 ± 0.004	0.500	0.315 ± 0.005	0.192 +0/-0.005	0.289 ± 0.004	0.088 ± 0.004	0.140± 0.004
ITSN-532-T	0.570 ± 0.004	0.625	0.450 ± 0.005	0.192 +0/-0.005	0.380 ± 0.004	0.088 ± 0.004	0.031± 0.004
ITSN-533	0.618 ± 0.006	0.625	0.450 ± 0.005	0.192 +0/-0.005	0.380 ± 0.004	0.088 ± 0.004	0.047± 0.004

SEAT DESIGNATION	SEAT I.C.	REFERENCE INSERT I.C.	D	T	C	K	R
ITSN-534	0.618 ± 0.006	0.625	0.450 ± 0.005	0.192 +0/-0.005	0.380 ± 0.004	0.088 ± 0.004	0.062 ± 0.004
ITSN-535	0.618 ± 0.006	0.625	0.450 ± 0.005	0.192 +0/-0.005	0.380 ± 0.004	0.088 ± 0.004	0.078 ± 0.004
ITSN-538	0.618 ± 0.006	0.625	0.450 ± 0.005	0.192 +0/-0.005	0.380 ± 0.004	0.088 ± 0.004	0.125± 0.004
ITSN-539	0.618 ± 0.006	0.625	0.450 ± 0.005	0.192 +0/-0.005	0.380 ± 0.004	0.088 ± 0.004	0.140± 0.004
ITSN-636	0.743 ± 0.007	0.750	0.513 ± 0.005	0.192 +0/-0.005	0.443 ± 0.004	0.088 ± 0.004	0.093± 0.004
ITSN-637	0.743 ± 0.007	0.750	0.513 ± 0.005	0.192 +0/-0.005	0.443 ± 0.004	0.088 ± 0.004	0.109± 0.004
ITSN-647	0.743 ± 0.007	0.750	0.513 ± 0.005	0.255 +0/-0.05	0.443 ± 0.004	0.088 ± 0.004	0.109± 0.004

* Note: All dimensions in inches

80° rhombic seats for indexable 80° rhombic inserts
 Style CNMA & CNMG for negative rake holders



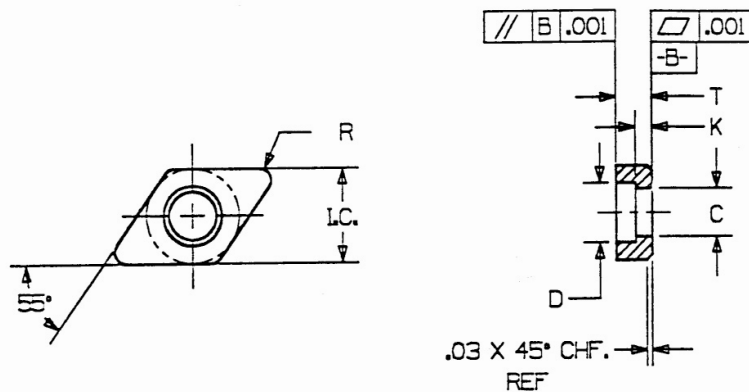
SEAT DESIGNATION	SEAT I.C.	REFERENCE INSERT I.C.	D	T	C	K	R
ICSN-322	0.365 ± 0.006	0.375	0.255 ± 0.004	0.130 +0/-0.005	0.227 ± 0.004	0.055 ± 0.004	0.031 ± 0.004
ICSN-432	0.490 ± 0.006	0.500	0.315 ± 0.004	0.192 +0/-0.005	0.289 ± 0.004	0.088 ± 0.004	0.031 ± 0.004
ICSN-433	0.490 ± 0.006	0.500	0.315 ± 0.004	0.192 +0/-0.005	0.289 ± 0.004	0.088 ± 0.004	0.047 ± 0.004
ICSN-434	0.490 ± 0.006	0.500	0.315 ± 0.004	0.192 +0/-0.005	0.289 ± 0.004	0.088 ± 0.004	0.062 ± 0.004
ICSN-442	0.490 ± 0.006	0.500	0.315 ± 0.004	0.255 +0/-0.005	0.289 ± 0.004	0.088 ± 0.004	0.031 ± 0.004
ICSN-443	0.490 ± 0.006	0.500	0.315 ± 0.004	0.255 +0/-0.005	0.289 ± 0.004	0.088 ± 0.004	0.047 ± 0.004
ICSN-533	0.615 ± 0.006	0.625	0.414 ± 0.004	0.192 +0/-0.005	0.380 ± 0.004	0.088 ± 0.004	0.047 ± 0.004
ICSN-534	0.615 ± 0.006	0.625	0.414 ± 0.004	0.192 +0/-0.005	0.380 ± 0.004	0.088 ± 0.004	0.062 ± 0.004
ICSN-538	0.615 ± 0.006	0.625	0.414 ± 0.004	0.192 +0/-0.005	0.380 ± 0.004	0.088 ± 0.004	0.125 ± 0.004
ICSN-543	0.615 ± 0.006	0.625	0.414 ± 0.004	0.255 +0/-0.005	0.380 ± 0.004	0.088 ± 0.004	0.047 ± 0.004
ICSN-633	0.740 ± 0.007	0.750	0.476 ± 0.004	0.192 +0/-0.005	0.443 ± 0.004	0.088 ± 0.004	0.047 ± 0.004
ICSN-634	0.740 ± 0.007	0.750	0.476 ± 0.004	0.192 +0/-0.005	0.443 ± 0.004	0.088 ± 0.004	0.062 ± 0.004
ICSN-636	0.740 ± 0.007	0.750	0.476 ± 0.004	0.192 +0/-0.005	0.443 ± 0.004	0.088 ± 0.004	0.093 ± 0.004
ICSN-642	0.740 ± 0.007	0.750	0.476 ± 0.004	0.255 +0/-0.005	0.443 ± 0.004	0.088 ± 0.004	0.031 ± 0.004
ICSN-643	0.740 ± 0.007	0.750	0.476 ± 0.004	0.255 +0/-0.005	0.443 ± 0.004	0.088 ± 0.004	0.047 ± 0.004

SEAT DESIGNATION	SEAT I.C.	REFERENCE INSERT I.C.	D	T	C	K	R
ICSN-644	0.740 ± 0.007	0.750	0.476 ± 0.004	0.255 +0/-0.005	0.443 ± 0.004	0.088 ± 0.004	0.062 ± 0.004
ICSN-846	0.980 ± 0.008	1.000	0.639 ± 0.004	0.255 +0/-0.005	0.568 ± 0.004	0.115 ± 0.004	0.093 ± 0.004

* Note: All dimensions in inches

55° rhombic seats for indexable 55° rhombic inserts

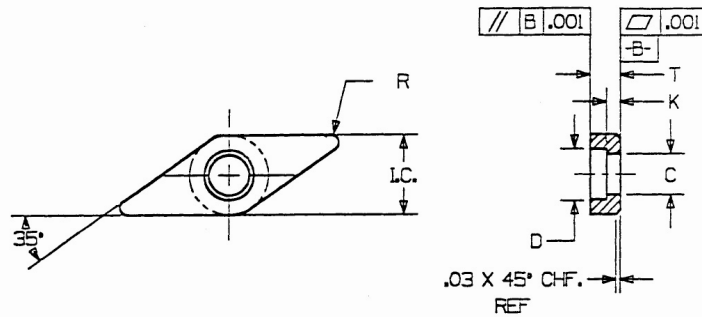
Style DNMA & DNMG for negative rake holders



SEAT DESIGNATION	SEAT I.C.	REFERENCE INSERT I.C.	D	T	C	K	R
IDSN-322	0.365 ± 0.005	0.375	0.255 ± 0.004	0.130 +0/-0.005	0.227 ± 0.004	0.055 ± 0.004	0.031 ± 0.004
IDSN-423	0.490 ± 0.005	0.500	0.315 ± 0.004	0.130 +0/-0.005	0.289 ± 0.004	0.055 ± 0.004	0.047 ± 0.004
IDSN-432	0.490 ± 0.005	0.500	0.315 ± 0.004	0.192 +0/-0.005	0.289 ± 0.004	0.088 ± 0.004	0.031 ± 0.004
IDSN-433	0.490 ± 0.005	0.500	0.315 ± 0.004	0.192 +0/-0.005	0.289 ± 0.004	0.088 ± 0.004	0.047 ± 0.004
IDSN-434	0.490 ± 0.005	0.500	0.315 ± 0.004	0.192 +0/-0.005	0.289 ± 0.004	0.088 ± 0.004	0.062 ± 0.004
IDSN-442	0.490 ± 0.005	0.500	0.315 ± 0.004	0.255 +0/-0.005	0.289 ± 0.004	0.088 ± 0.004	0.031 ± 0.004
IDSN-443	0.490 ± 0.005	0.500	0.315 ± 0.004	0.255 +0/-0.005	0.289 ± 0.004	0.088 ± 0.004	0.047 ± 0.004
IDSN-444	0.490 ± 0.005	0.500	0.315 ± 0.004	0.255 +0/-0.005	0.289 ± 0.004	0.088 ± 0.004	0.062 ± 0.004
IDSN-453	0.490 ± 0.005	0.500	0.315 ± 0.004	0.315 +0/-0.005	0.289 ± 0.004	0.088 ± 0.004	0.047 ± 0.004
IDSN-532	0.615 ± 0.005	0.625	0.414 ± 0.004	0.192 +0/-0.005	0.380 ± 0.004	0.088 ± 0.004	0.031 ± 0.004
IDSN-533	0.615 ± 0.005	0.625	0.414 ± 0.004	0.192 +0/-0.005	0.380 ± 0.004	0.088 ± 0.004	0.047 ± 0.004
IDSN-543	0.615 ± 0.005	0.625	0.414 ± 0.004	0.255 +0/-0.005	0.380 ± 0.004	0.088 ± 0.004	0.047 ± 0.004
IDSN-548	0.615 ± 0.005	0.625	0.414 ± 0.004	0.255 +0/-0.005	0.380 ± 0.004	0.088 ± 0.004	0.125 ± 0.004
IDSN-553	0.615 ± 0.005	0.625	0.414 ± 0.004	0.315 +0/-0.005	0.380 ± 0.004	0.088 ± 0.004	0.047 ± 0.004

* Note: All dimensions in inches

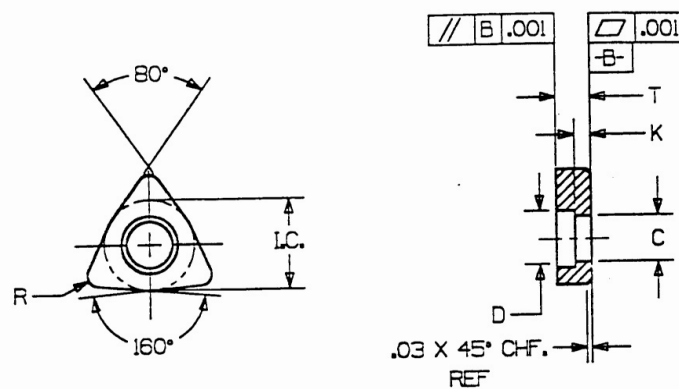
35° rhombic seats for indexable 35° rhombic inserts
 Style VNMA & VNMG for negative rake holders



SEAT DESIGNATION	SEAT I.C.	REFERENCE INSERT I.C.	D	T	C	K	R
IVSN-322	0.360 ± 0.006	0.375	0.253 ± 0.004	0.130 +0/-0.005	0.227 ± 0.004	0.055 ± 0.004	0.031 ± 0.004
IVSN-324	0.360 ± 0.006	0.375	0.253 ± 0.004	0.130 +0/-0.005	0.227 ± 0.004	0.055 ± 0.004	0.062 ± 0.004
IVSN-431	0.484 ± 0.006	0.500	0.315 ± 0.004	0.192 +0/-0.005	0.289 ± 0.004	0.088 ± 0.004	0.016 ± 0.004
IVSN-433	0.484 ± 0.006	0.500	0.315 ± 0.004	0.192 +0/-0.005	0.289 ± 0.004	0.088 ± 0.004	0.047 ± 0.004
IVSN-436	0.484 ± 0.006	0.500	0.315 ± 0.004	0.192 +0/-0.005	0.289 ± 0.004	0.088 ± 0.004	0.093 ± 0.004
IVSN-532	0.615 ± 0.006	0.625	0.450 ± 0.004	0.192 +0/-0.005	0.380 ± 0.004	0.088 ± 0.004	0.031 ± 0.004
IVSN-534	0.615 ± 0.006	0.625	0.450 ± 0.004	0.192 +0/-0.005	0.380 ± 0.004	0.088 ± 0.004	0.062 ± 0.004

* Note: All dimensions in inches

Trigon seats for indexable trigon inserts
 Style WNMA & WNMG for negative rake holders



SEAT DESIGNATION	SEAT I.C.	REFERENCE INSERT I.C.	D	T	C	K	R
IWSN-322	0.365 ± 0.004	0.375	0.253 ± 0.004	0.130 +0/-0.005	0.227 ± 0.004	0.055 ± 0.004	0.031 ± 0.004
IWSN-323	0.365 ± 0.004	0.375	0.253 ± 0.004	0.130 +0/-0.005	0.227 ± 0.004	0.055 ± 0.004	0.047 ± 0.004
IWSN-432	0.490 ± 0.004	0.500	0.315 ± 0.004	0.192 +0/-0.005	0.289 ± 0.004	0.088 ± 0.004	0.031 ± 0.004
IWSN-433	0.490 ± 0.004	0.500	0.315 ± 0.004	0.192 +0/-0.005	0.289 ± 0.004	0.088 ± 0.004	0.047 ± 0.004

SEAT DESIGNATION	SEAT I.C.	REFERENCE INSERT I.C.	D	T	C	K	R
IWSN-434	0.490 ± 0.004	0.500	0.315 ± 0.004	0.192 +0/-0.005	0.289 ± 0.004	0.088 ± 0.004	0.062 ± 0.004
IWSN-442	0.490 ± 0.004	0.500	0.315 ± 0.004	0.255 +0/-0.005	0.289 ± 0.004	0.088 ± 0.004	0.031 ± 0.004
IWSN-443	0.490 ± 0.004	0.500	0.315 ± 0.004	0.255 +0/-0.005	0.289 ± 0.004	0.088 ± 0.004	0.047 ± 0.004
IWSN-533	0.615 ± 0.006	0.625	0.414 ± 0.004	0.192 +0/-0.005	0.380 ± 0.004	0.088 ± 0.004	0.047 ± 0.004
IWSN-534	0.615 ± 0.006	0.625	0.414 ± 0.004	0.192 +0/-0.005	0.380 ± 0.004	0.088 ± 0.004	0.062 ± 0.004
IWSN-538	0.615 ± 0.006	0.625	0.414 ± 0.004	0.192 +0/-0.005	0.380 ± 0.004	0.088 ± 0.004	0.125 ± 0.004
IWSN-543	0.615 ± 0.006	0.625	0.414 ± 0.004	0.255 +0/-0.005	0.380 ± 0.004	0.088 ± 0.004	0.047 ± 0.004
IWSN-633	0.740 ± 0.007	0.750	0.476 ± 0.006	0.192 +0/-0.005	0.443 ± 0.006	0.088 ± 0.004	0.047 ± 0.004
IWSN-634	0.740 ± 0.007	0.750	0.476 ± 0.006	0.192 +0/-0.005	0.443 ± 0.006	0.088 ± 0.004	0.062 ± 0.004
IWSN-636	0.740 ± 0.007	0.750	0.476 ± 0.006	0.192 +0/-0.005	0.443 ± 0.006	0.088 ± 0.004	0.093 ± 0.004
IWSN-642	0.740 ± 0.007	0.750	0.476 ± 0.006	0.255 +0/-0.005	0.443 ± 0.006	0.088 ± 0.004	0.031 ± 0.004
IWSN-643	0.740 ± 0.007	0.750	0.476 ± 0.006	0.255 +0/-0.005	0.443 ± 0.006	0.088 ± 0.004	0.047 ± 0.004
IWSN-644	0.740 ± 0.007	0.750	0.476 ± 0.006	0.255 +0/-0.005	0.443 ± 0.006	0.088 ± 0.004	0.062 ± 0.004
IWSN-846	0.980 ± 0.008	1.000	0.639 ± 0.006	0.255 +0/-0.005	0.568 ± 0.006	0.115 ± 0.004	0.093 ± 0.004

* Note: All dimensions in inches