

# **GOODE CARBIDE**

## CARBIDE BURRS

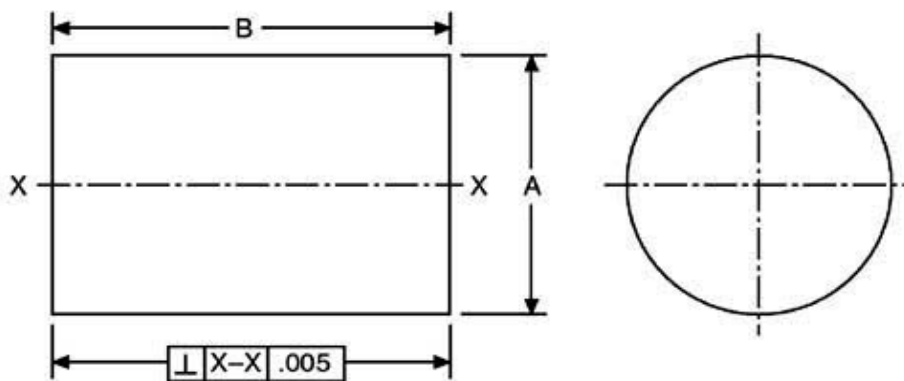
ZHUZHOU GOODE TUNGSTEN CARBIDE CO., LTD

➤ *Carbide Grades and Properties*

Grade	Density g/cm <sup>3</sup>	T.R.S MPa	Hardness HRA
YG6	14.95	1900	90.5
YG6X	14.95	1800	91.5

➤ *Product Informations*

Shape SA (Cylindrical)

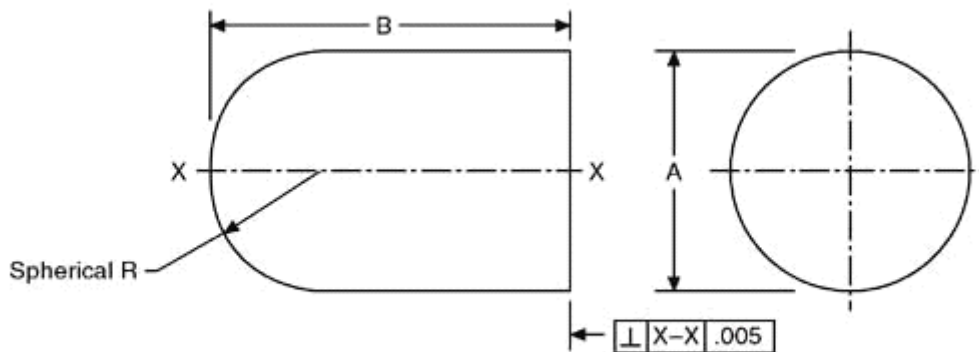


**Blanks for carbide burrs — Shape SA (Cylindrical)**

Blank Designation	A		B	
	Nominal	Actual	Nominal	Actual
BSA-51 S	1/4	0.265 ± 0.005	3/16	0.193 ± 0.010
BSA-51	1/4	0.265 ± 0.005	1/2	0.500 ± 0.010
BSA-2	5/16	0.327 ± 0.005	3/4	0.750 ± 0.010
BSA-3	3/8	0.390 ± 0.005	3/4	0.750 ± 0.010
BSA-4	7/16	0.453 ± 0.005	1	1.000 ± 0.010
BSA-5	1/2	0.515 ± 0.005	1	1.000 ± 0.010
BSA-6	5/8	0.640 ± 0.005	1	1.000 ± 0.010
BSA-16	3/4	0.767 ± 0.006	1/2	0.500 ± 0.010
BSA-72	3/4	0.767 ± 0.006	3/4	0.750 ± 0.010
BSA-7	3/4	0.767 ± 0.006	1	1.000 ± 0.010
BSA-8	7/8	0.892 ± 0.006	1	1.000 ± 0.010
BSA-9	1	1.019 ± 0.007	1	1.000 ± 0.010

All dimensions in inches.

Shape SC (Cylindrical Ball Nose)

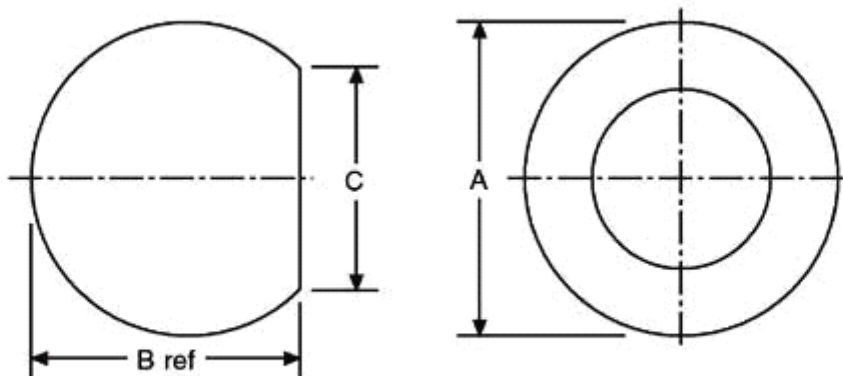


**Blanks for carbide burrs — Shape SC (Cylindrical ball nose)**

Blank Designation	A		B		R
	Nominal	Actual	Nominal	Actual	
BSC-51	1/4	0.265 ± 0.005	1/2	0.500 ± 0.010	0.133
BSC-2	5/16	0.327 ± 0.005	3/4	0.750 ± 0.010	0.164
BSC-3	3/8	0.390 ± 0.005	3/4	0.750 ± 0.010	0.195
BSC-4	7/16	0.453 ± 0.005	1	1.000 ± 0.010	0.227
BSC-5	1/2	0.515 ± 0.005	1	1.000 ± 0.010	0.258
BSC-6	5/8	0.640 ± 0.005	1	1.000 ± 0.010	0.320
BSC-15	3/4	0.767 ± 0.006	1/2	0.500 ± 0.010	0.384
BSC-16	3/4	0.767 ± 0.006	3/4	0.750 ± 0.010	0.384
BSC-7	3/4	0.767 ± 0.006	1	1.000 ± 0.010	0.384
BSC-9	1	1.019 ± 0.007	1	1.000 ± 0.010	0.510

All dimensions in inches.

Shape SD (Ball)

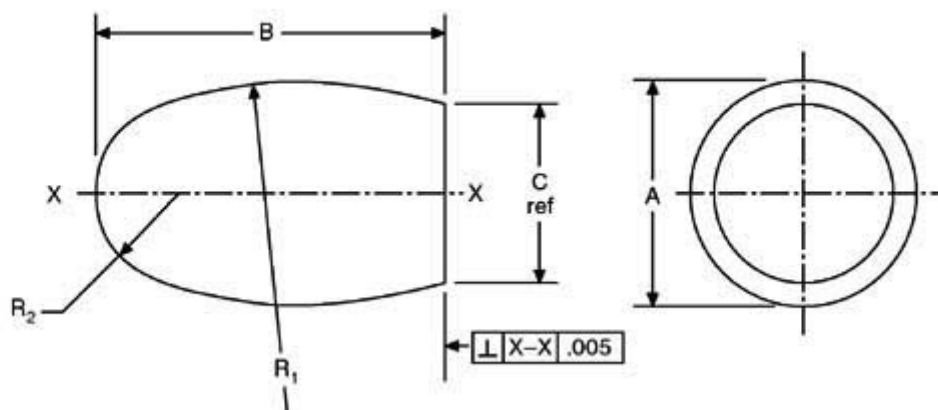


**Blanks for carbide burrs — Shape SD (Ball)**

Blank Designation	A		B	C
	Nominal	Actual		
BSD-51	1/4	0.265 ± 0.005	0.220	0.188 ± 0.005
BSD-2	5/16	0.327 ± 0.005	0.276	0.226 ± 0.005
BSD-3	3/8	0.390 ± 0.005	0.332	0.265 ± 0.005
BSD-4	7/16	0.453 ± 0.005	0.392	0.297 ± 0.005
BSD-5	1/2	0.515 ± 0.005	0.450	0.329 ± 0.005
BSD-6	5/8	0.640 ± 0.005	0.568	0.390 ± 0.005
BSD-7	3/4	0.767 ± 0.006	0.686	0.456 ± 0.005
BSD-9	1	1.019 ± 0.007	0.924	0.578 ± 0.005

All dimensions in inches.

Shape SE (Olive)

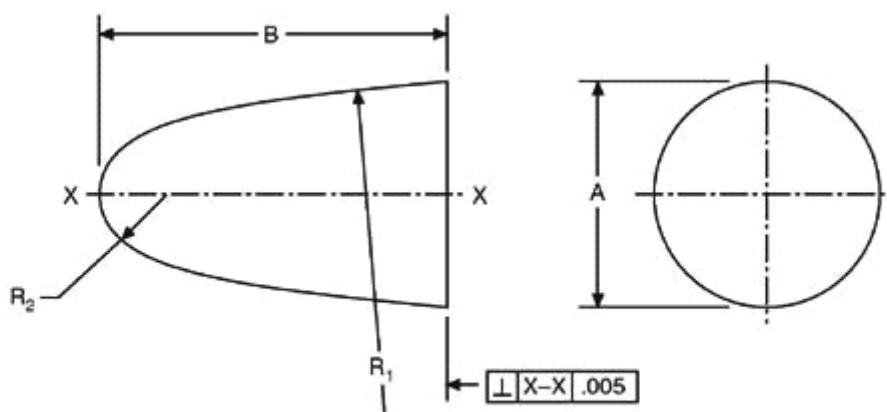


**Blanks for carbide burrs — Shape SE (Olive)**

Blank Designation	A		B		C	R <sub>1</sub>	R <sub>2</sub>
	Nom	Actual	Nom	Actual			
BSE-51	1/4	0.265 ± 0.005	3/8	0.375 ± 0.010	0.216	0.427 ± 0.006	0.099 ± 0.005
BSE-3	3/8	0.390 ± 0.005	5/8	0.625 ± 0.010	0.311	0.880 ± 0.008	0.161 ± 0.005
BSE-5	1/2	0.515 ± 0.005	7/8	0.875 ± 0.010	0.406	1.255 ± 0.012	0.208 ± 0.006
BSE-6	5/8	0.640 ± 0.005	1	1.000 ± 0.010	0.507	1.255 ± 0.012	0.255 ± 0.006
BSE-7	3/4	0.767 ± 0.006	1	1.000 ± 0.010	0.495	0.802 ± 0.008	0.318 ± 0.006

All dimensions in inches.

Shape SF (Three, Radius Nose)

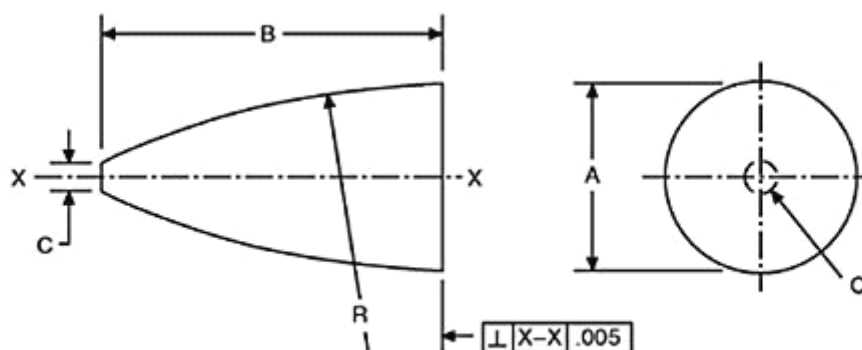


**Blanks for carbide burrs — Shape SF (Tree, Radius nose)**

Blank Designation	A		B		R <sub>1</sub>	R <sub>2</sub>
	Nominal	Actual	Nominal	Actual		
BSF-51	1/4	0.265 ± 0.005	1/2	0.500 ± 0.010	1.630 ± 0.018	0.068 ± 0.005
BSF-3	3/8	0.390 ± 0.005	3/4	0.750 ± 0.010	2.300 ± 0.020	0.098 ± 0.005
BSF-4	7/16	0.453 ± 0.005	1	1.000 ± 0.010	3.255 ± 0.020	0.098 ± 0.005
BSF-13	1/2	0.515 ± 0.005	3/4	0.750 ± 0.010	1.760 ± 0.020	0.130 ± 0.005
BSF-5	1/2	0.515 ± 0.005	1	1.000 ± 0.010	3.255 ± 0.020	0.130 ± 0.005
BSF-6	5/8	0.640 ± 0.005	1	1.000 ± 0.010	3.005 ± 0.020	0.194 ± 0.006
BSF-7	3/4	0.767 ± 0.005	1	1.000 ± 0.010	2.130 ± 0.020	0.194 ± 0.006
BSF-14	3/4	0.767 ± 0.006	1 1/4	1.250 ± 0.015	3.319 ± 0.020	0.194 ± 0.006
BSF-15	3/4	0.767 ± 0.006	1 1/2	1.500 ± 0.015	5.069 ± 0.020	0.194 ± 0.006

All dimensions in inches.

Shape SG (Three, Pointed Nose)

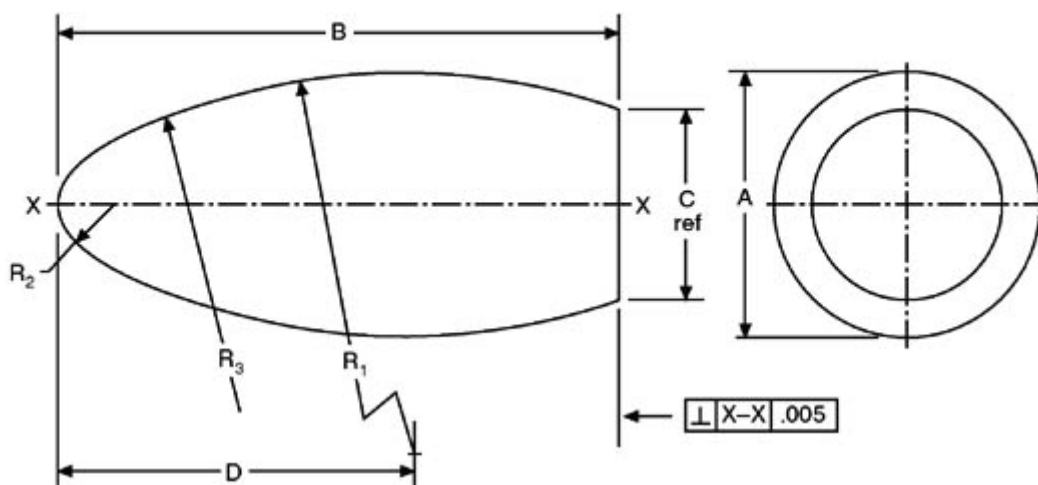


**Blanks for carbide burrs — Shape SG (Tree, Pointed nose)**

Blank Designation	A		B		C	R
	Nominal	Actual	Nominal	Actual		
BSG-51	1/4	0.265 ± 0.005	1/2	0.500 ± 0.010	0.042 ± 0.005	1.005 ± 0.008
BSG-2	5/16	0.327 ± 0.005	3/4	0.750 ± 0.010	0.055 ± 0.005	2.005 ± 0.018
BSG-3	3/8	0.390 ± 0.005	3/4	0.750 ± 0.010	0.056 ± 0.005	1.505 ± 0.012
BSG-13	1/2	0.515 ± 0.005	3/4	0.750 ± 0.010	0.073 ± 0.005	1.318 ± 0.012
BSG-5	1/2	0.515 ± 0.005	1	1.000 ± 0.010	0.073 ± 0.005	2.255 ± 0.020
BSG-6	5/8	0.640 ± 0.005	1	1.000 ± 0.010	0.073 ± 0.005	1.880 ± 0.016
BSG-7	3/4	0.767 ± 0.006	1	1.000 ± 0.010	0.075 ± 0.005	1.631 ± 0.014
BSG-15	3/4	0.767 ± 0.006	1 1/2	1.500 ± 0.010	0.088 ± 0.005	3.505 ± 0.020

All dimensions in inches.

Shape SH (Flame)



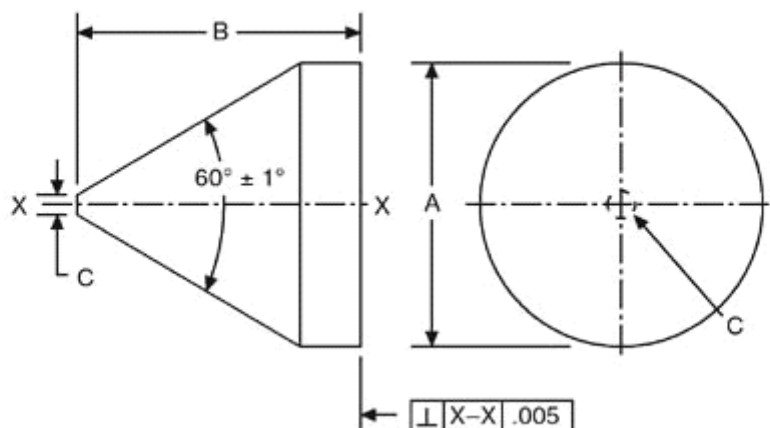
**Blanks for carbide burrs — Shape SH (Flame)**

Blank Designation	A		B		C	D	R <sub>1</sub>	R <sub>2</sub>	R <sub>3</sub>
	Nom	Actual	Nom	Actual					
BSH-2	5/16	0.327 ± 0.005	3/4	0.750 ± 0.010	0.257	0.489 ± 0.015	1.068 ± 0.010	0.068 ± 0.005	—
BSH-5	1/2	0.515 ± 0.005	1 1/4	1.250 ± 0.015	0.431	0.854 ± 0.015	2.005 ± 0.018	0.099 ± 0.005	—
BSH-6	5/8	0.640 ± 0.005	1 7/16	1.438 ± 0.015	0.495	0.880 ± 0.015	2.255 ± 0.020	0.099 ± 0.005	0.755 ± 0.008
BSH-7	3/4	0.767 ± 0.006	1 5/8	1.625 ± 0.020	0.548	1.002 ± 0.015	1.881 ± 0.016	0.162 ± 0.005	—

All dimensions in inches.



Shape SJ (60-degree cone)

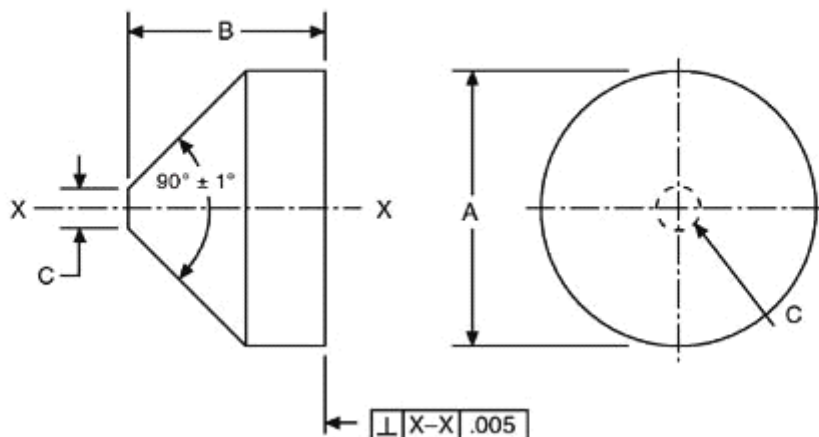


**Blanks for carbide burrs — Shape SJ (60-degree cone)**

Blank Designation	A		B		C
	Nominal	Actual	Nominal	Actual	
BSJ-3	3/8	0.390 ± 0.005	7/16	0.438 ± 0.010	0.032 ± 0.005
BSJ-5	1/2	0.515 ± 0.005	35/64	0.547 ± 0.010	0.032 ± 0.005
BSJ-6	5/8	0.640 ± 0.005	11/16	0.688 ± 0.010	0.063 ± 0.005
BSJ-7	3/4	0.767 ± 0.006	51/64	0.797 ± 0.010	0.063 ± 0.005
BSJ-9	1	1.019 ± 0.007	31/32	0.969 ± 0.010	0.125 ± 0.005

All dimensions in inches.

Shape SK (90-degree cone)

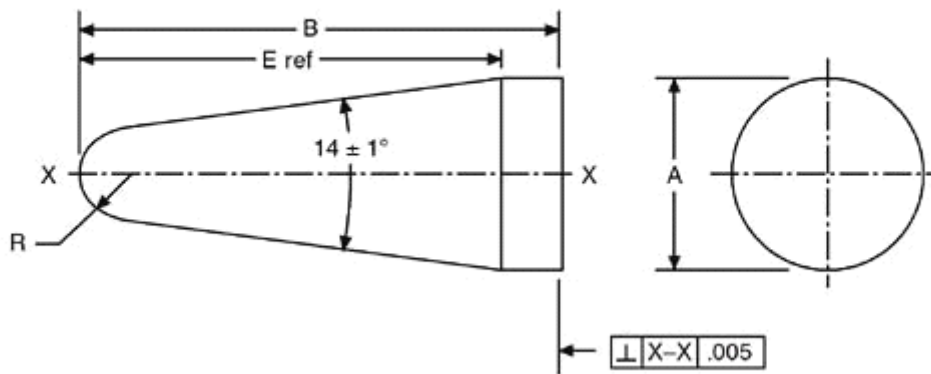


**Blanks for carbide burrs — Shape SK (90-degree cone)**

Blank Designation	A		B		C
	Nominal	Actual	Nominal	Actual	
BSK-3	3/8	0.390 ± 0.005	5/16	0.313 ± 0.010	0.032 ± 0.005
BSK-5	1/2	0.515 ± 0.005	3/8	0.375 ± 0.010	0.032 ± 0.005
BSK-6	5/8	0.640 ± 0.005	31/64	0.484 ± 0.010	0.063 ± 0.005
BSK-7	3/4	0.767 ± 0.006	35/64	0.547 ± 0.010	0.063 ± 0.005
BSK-9	1	1.019 ± 0.007	41/64	0.641 ± 0.010	0.125 ± 0.005

All dimensions in inches.

Shape SL (14-degree cone, Ball nose)

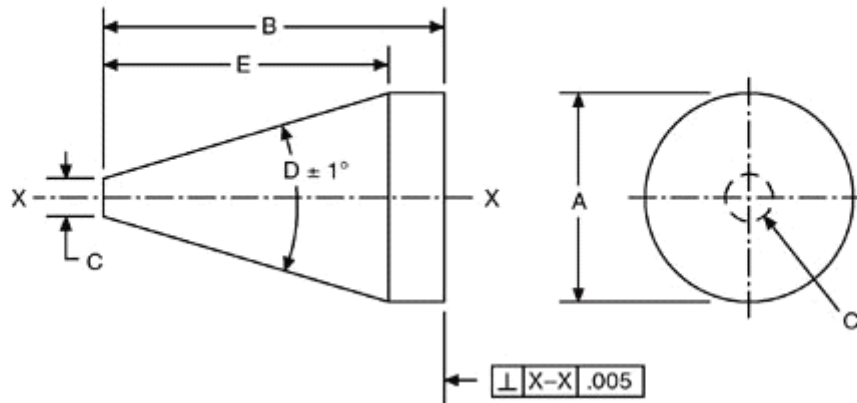


**Blanks for carbide burrs — Shape SL (14-degree cone, Ball nose)**

Blank Designation	A		B		R		E ref.
	Nominal	Actual	Nominal	Actual	Nominal	Actual	
BSL-2	5/16	0.327 ± 0.005	1	1.015 ± 0.010	0.055	0.060 ± 0.0025	7/8
BSL-3	3/8	0.390 ± 0.005	1 3/16	1.208 ± 0.015	0.065	0.070 ± 0.0025	1 1/16
BSL-4	1/2	0.515 ± 0.005	1 1/4	1.271 ± 0.015	0.126	0.131 ± 0.0025	1 1/8
BSL-5	5/8	0.640 ± 0.005	1 5/16	1.333 ± 0.015	0.188	0.193 ± 0.0025	1 3/16
BSL-6	5/8	0.640 ± 0.005	1 7/16	1.458 ± 0.015	0.171	0.176 ± 0.0025	1 5/16
BSL-7	3/4	0.767 ± 0.006	1 5/8	1.646 ± 0.020	0.216	0.222 ± 0.003	1 1/2

All dimensions in inches.

Shape SM (Cone)

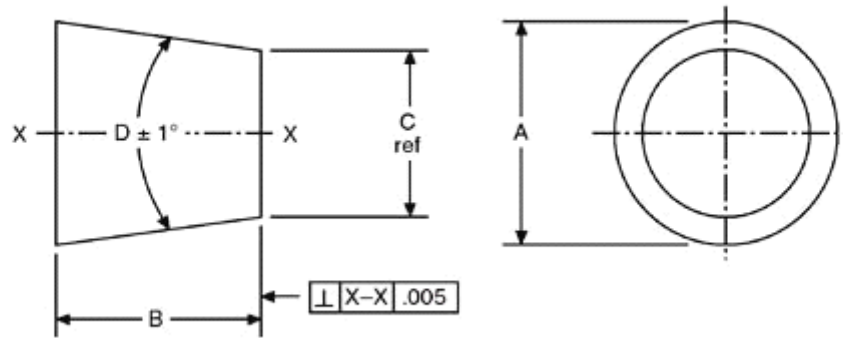


**Blanks for carbide burrs — Shape SM (Cone)**

Blank Designation	A		B		C	D degrees	E ref.
	Nominal	Actual	Nominal	Actual			
BSM-51	1/4	0.265 ± 0.005	5/8	0.635 ± 0.010	0.065 ± 0.005	22	0.514
BSM-4	3/8	0.390 ± 0.005	3/4	0.760 ± 0.010	0.073 ± 0.005	28	0.636
BSM-5	1/2	0.515 ± 0.005	1	1.010 ± 0.010	0.073 ± 0.005	28	0.886
BSM-6	5/8	0.640 ± 0.005	1 1/8	1.141 ± 0.015	0.080 ± 0.005	31	1.010

All dimensions in inches.

Shape SN (Inverted Cone)



**Blanks for carbide burrs — Shape SN (Inverted cone)**

Blank Designation	A		B		C	D degrees
	Nominal	Actual	Nominal	Actual		
BSN-51	1/4	0.265 ± 0.005	1/4	0.250 ± 0.010	0.221	10
BSN-2	3/8	0.390 ± 0.005	3/8	0.375 ± 0.010	0.305	13
BSN-3	1/2	0.515 ± 0.005	1/2	0.500 ± 0.010	0.374	16
BSN-4	1/2	0.515 ± 0.005	1/2	0.500 ± 0.010	0.266	28
BSN-5	5/8	0.640 ± 0.005	5/8	0.625 ± 0.010	0.431	19
BSN-6	5/8	0.640 ± 0.005	3/4	0.750 ± 0.010	0.403	18
BSN-7	3/4	0.767 ± 0.006	5/8	0.625 ± 0.010	0.432	30

All dimensions in inches.

Notes: we can supply other sizes of carbide burrs according to the customer's drawing